



SAFETY RAIL CO.
THE SAFEST



SRC Accu-Fit Metal Roof System

Traditional Series

The SRC Accu-Fit Metal Roof Rail system is a compression-fit passive fall protection barrier system that protects workers from accidental falls. This system offers a continuous, uniform, vertical profile and a swept back railing profile that both enhances appearance and is often desirable by clients for use in high traffic areas in view of the public.



Features

- Riveted or clamp-on system
- Modular design for unlimited configurations
- No welding or drilling required for installation
- Standard Finish Options: Powder-coated Safety Yellow & Galvanized
- No intermediate counterweights required
- American Welding Society Certified (AWS D1.1 & D1.3)
- 100% Made in USA

Applications

The SRC Accu-Fit Metal Roof Rail system is designed especially for metal roof tops requiring OSHA-compliant fall protection or barrier guarding. Commonly used in industrial, commercial and work-site/construction environments as a permanent or temporary protection solution.

Minimum Requirements

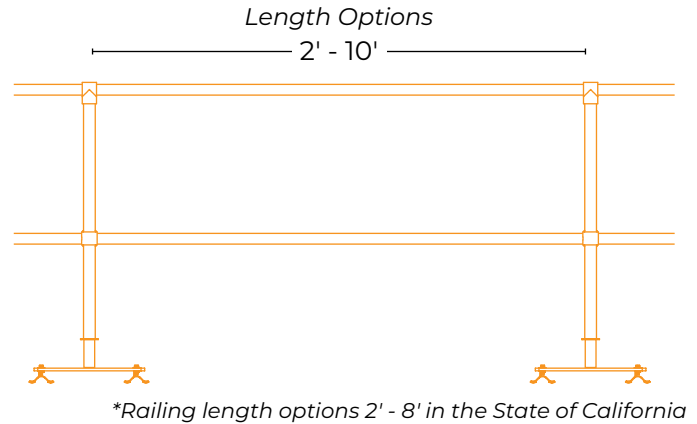
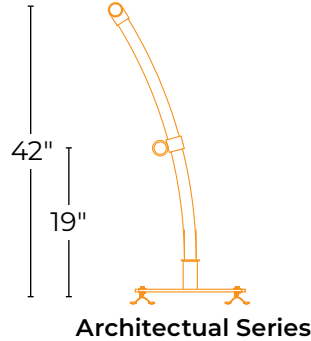
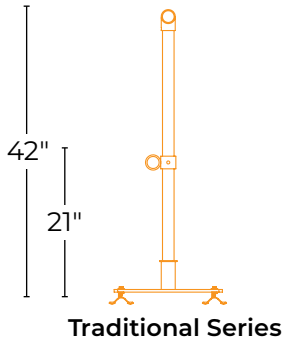
- ✓ For standing seam metal roofs with 16", 18" or 24" wide seam pattern (custom solutions for other sizes when provided)

Accu-Fit Metal Roof System

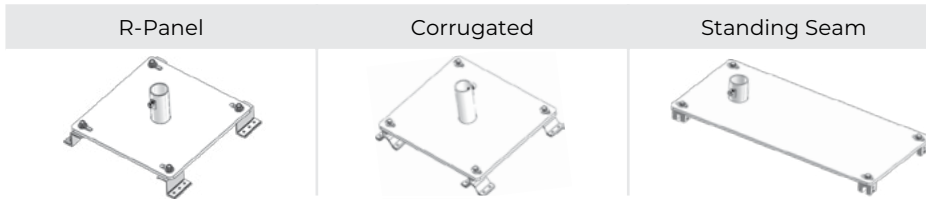


Dimensions & Length Options

*Assembled Height



Metal Roof Attachment Options



Finish Options



Product Specifications

Designed in accordance with OSHA Standards (29 CFR 1910.29 and CFR 1926.502) Chapter 4, Article 19, 3212

Tested for 200 lb (90.7kg) force in a downward or outward direction

Assembled height: 42" (107cm) top rail, 21" (53cm) mid rail or 19" (48cm) mid rail

Base plates compression-fit to metal roof panels

Models for 16", 18" and 24" standing seams (custom sizes available upon request)

Railing tube 1.25 sch 40 grade b/c pipe

100% Made in USA

American Welding Society Certified (AWS D1.1 & D1.3)



Installation

- Safety Rail Co. provided project specific product install plan available
- No welding or drilling required
- Multi-person installations are preferred
- Complete installation guidelines available electronically

Compliance

Compliant with OSHA standards for guardrails: (29 CFR 1910.29 & 29 CFR 1926.502)

Independently tested by a nationally accredited engineering lab

- documentation available upon request