

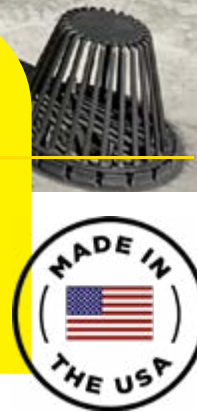


**SAFETY RAIL CO.**  
THE SAFEST



## SRC Hatchguards

The SRC Hatchguard is an OSHA compliant, passive fall-protection system that installs without welding, drilling or roof membrane penetration. Standard system is a one-piece that drops over the top of the roof hatch and is secured with four compression bolts. Installation takes 15 minutes.



### Features

- ⊗ Use on roof hatches with standard curb detail
- ⊗ Built-in grab bars, self-closing gate and 2' egress/ingress safe landing zone
- ⊗ Non-penetrating design will not compromise building envelope
- ⊗ No welding or drilling required for installation
- ⊗ American Welding Society Certified (AWS D1.1 & D1.3)
- ⊗ 100% Made in USA
- ⊗ Modular Hatchguard Kits available

### Minimum Requirements

- ✔ Requires raised curbing typically found on roof hatch kits
- ✔ Designed for flat and low-sloped roofs
- ✔ Additional SRC product options available for steep-sloped roofs

# SRC Hatchguards

## PRODUCT SPECIFICATIONS

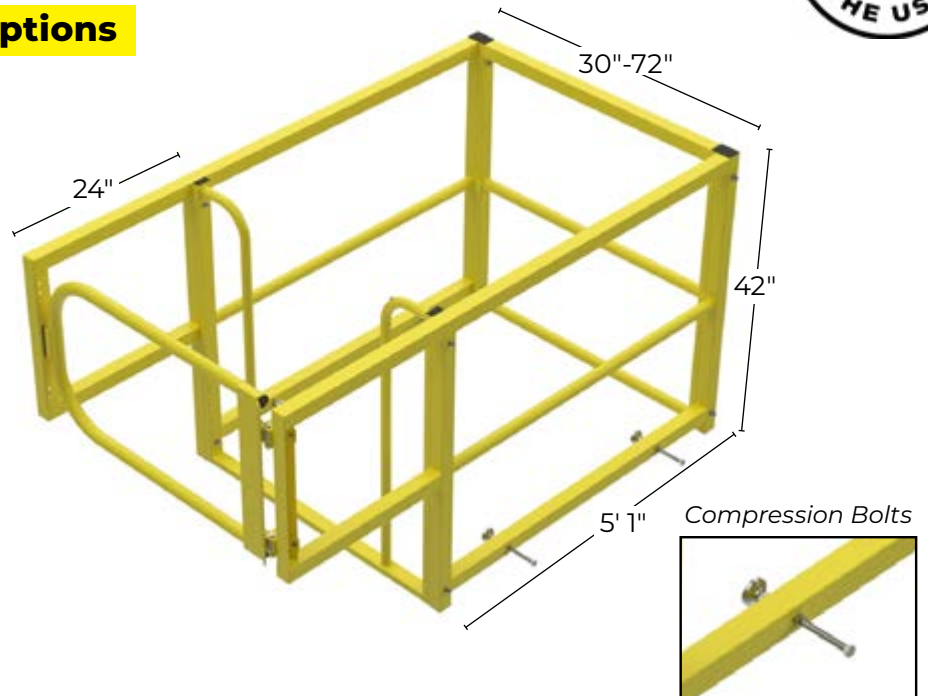


### Dimensions & Length Options

#### Size Options

36"x 42"	147 lbs
36"x 58"	156 lbs
36"x 90"	185 lbs
36"x 100"	208 lbs
42"x 42"	150 lbs
48"x 48"	158 lbs

Mix-and-Match Components  
Additional Sizes Available



### Product Specifications

Tested for 200 lb (90.7kg) force in any direction

Assembled height:

42" (107cm) top rail, 21" (53cm) mid rail

All steel construction for longterm durability

Standard assemble on-site modular design, one piece welded design optional

No mechanical penetrations required

Built-in R/L hand grab bars for secure hand positioning

2' safe landing zone provides sure footing in egress/ingress

Self-closing gate ensures complete 4-sided protection at all times



### Compliance

Compliant with OSHA standards for guardrails: (29 CFR 1910.29 & 29 CFR 1926.502)

Compliant with Cal-OSHA standards: (Title 9, 1620 & 3209)

Independently tested by a nationally accredited engineering lab

- documentation available upon request