



SafetyRailCompany

Fall Protection for Life and Compliance



SRC 360 MOBILE HIDE-A-RAIL

PASSIVE FALL PROTECTION

DESCRIPTION

The SRC 360 Mobile Hide-A-Rail system is an OSHA compliant, passive fall-protection system that installs without tools, welding, drilling, or roof membranes penetration. Our unique design approach places cast iron bases around workplace safety hazards, creating a ballasted support stand in which steel guardrails are pinned. When the system is not in use, it can be folded down out of public view.

USES

The SRC 360 Mobile Hide-A-Rail system is designed for all rooftop or elevated level applications that require OSHA compliant fall protection guarding. In areas where sight lines are important, railings can be folded down out of sight without dismantling the entire system.

OSHA COMPLIANCE

- Compliant with OSHA standards for guardrails: (29 CFR 1910.29 & 29 CFR 1926.502)
- Independently tested by a nationally accredited engineering lab -documentation available upon request

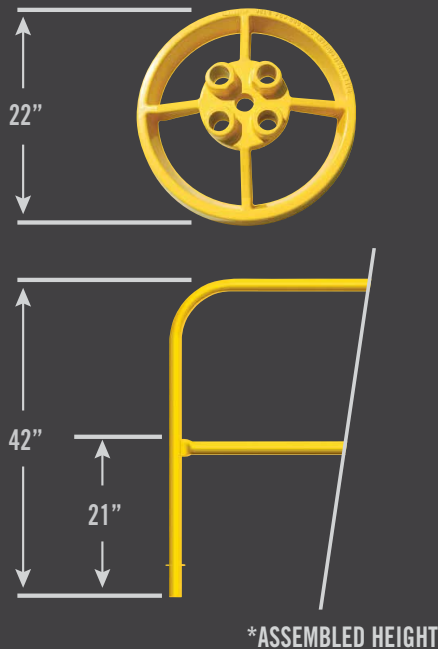
FEATURES

- Non-penetrating system which folds down out of public view
- No tools, welding or drilling required for installation
- American Welding Society Certified (AWS D1.1 & D1.3)
- 100% Made in USA
- Powder coat and galvanized finishes available
- Custom RAL colors available
- Modular design for infinite configurations
- No intermediate counter weights required

MINIMUM REQUIREMENTS

- All rail segments along leading edge must begin and end with a 5' (152cm) return rail with base
- Designed for flat and low-sloped roofs, up to a 1:12 roof pitch
- Additional SRC product options available for steep-sloped roofs
- 18" offset from leading edge with no parapet wall

DIMENSIONS

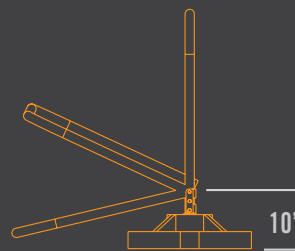


LENGTH OPTIONS



2' - 10'
IN 1' INCREMENTS

FOLDED HEIGHT ON ROOF



RAILING IN FOLDED POSITION



FINISH OPTIONS



SAFETY YELLOW



GALVANIZED



SAFETY YELLOW
+ GALVANIZED



CUSTOM
COLORS

PRODUCT SPECIFICATIONS

- Hide-A-Rail folds down out of public view when not in use for fall protection
- Designed in accordance with OSHA Standards (29 CFR 1910.29 and CFR 1926.502) and CalOSHA Title 8, Chapter 4, Article 19, 3212; 3209
- Tested for 200 lb (90.7kg) force in any direction
- Assembled height: 42" (107cm) top rail, 21" (53cm) mid rail
- Mounting base weight: 104 lbs (45.8kg)/ea
- Railing tube 1 5/8" (41mm) O.D. hot rolled, pickled and oiled (HRPO)
- Positive locking pin system
- EPDM pads standard factory installed under each base
- 100% Made in USA
- American Welding Society Certified (AWS D1.1 & D1.3)
- SRC Safety Pins: 1010 carbon steel and zinc plated



INSTALLATION

- SRC provided product installation plan
- No tools, welding or drilling required
- Single person installation
- Mobile, multi-location capability
- Complete installation guidelines available electronically and included with each shipment

PROJECT:

CONTRACTOR:

DATE:

Certified third party OSHA testing results available on request