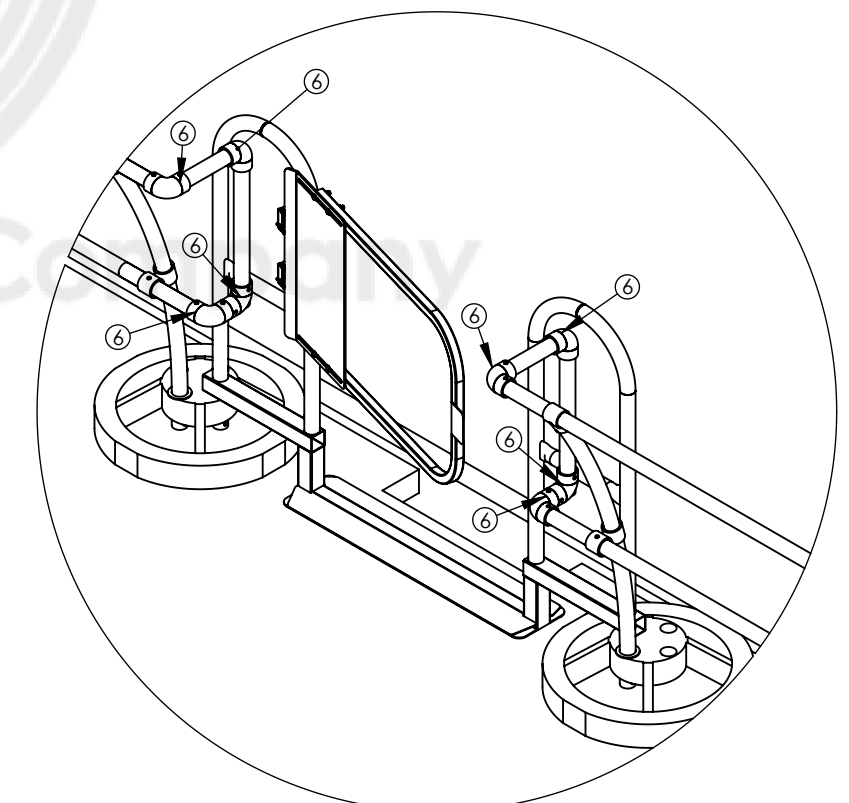
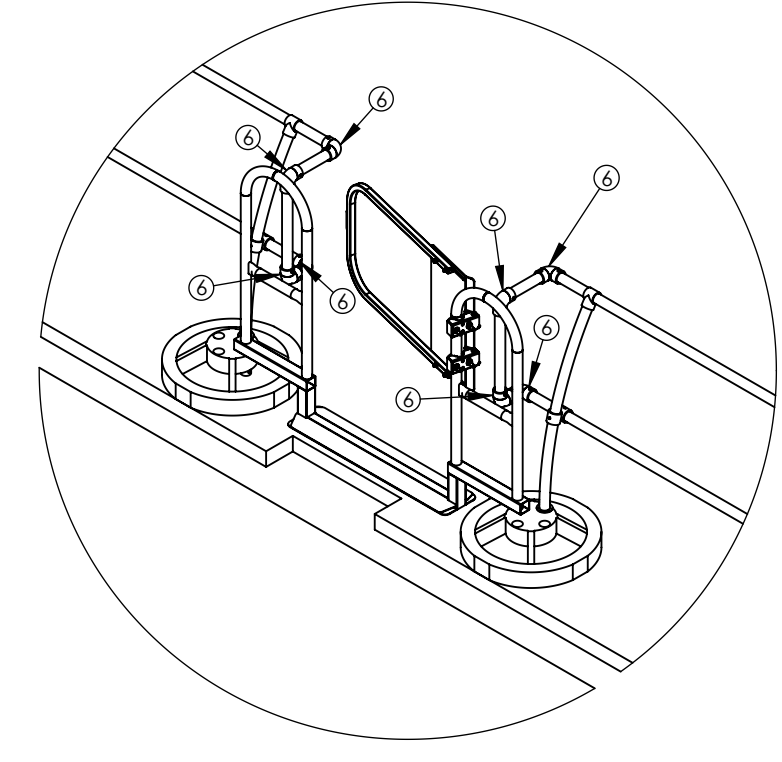
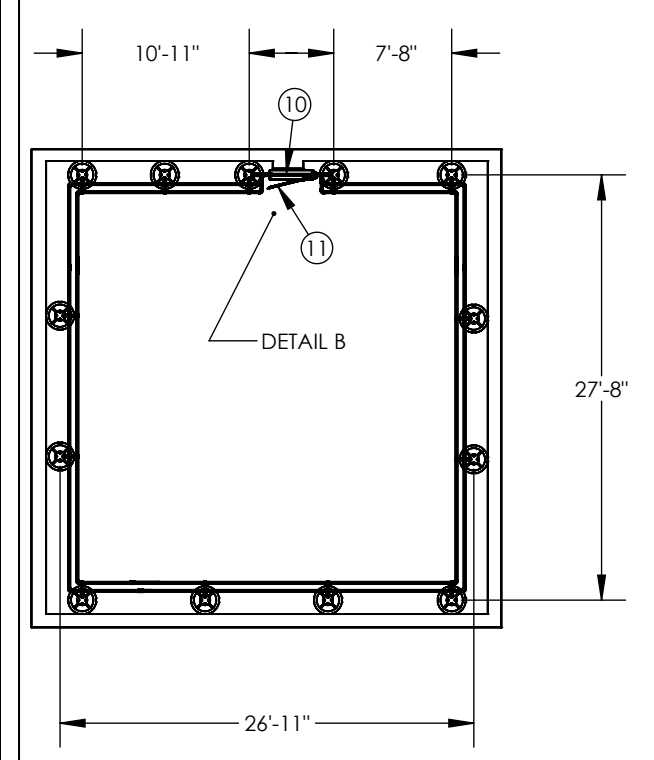
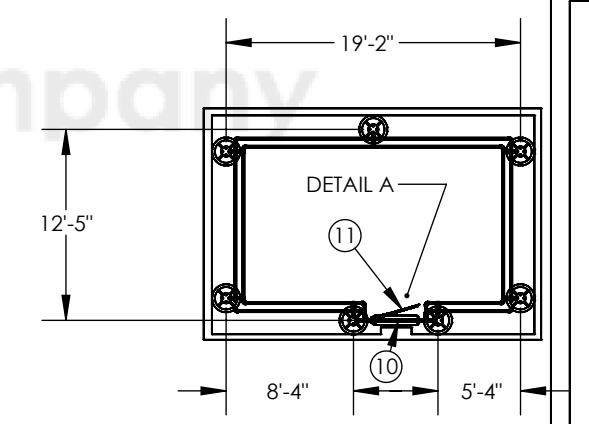
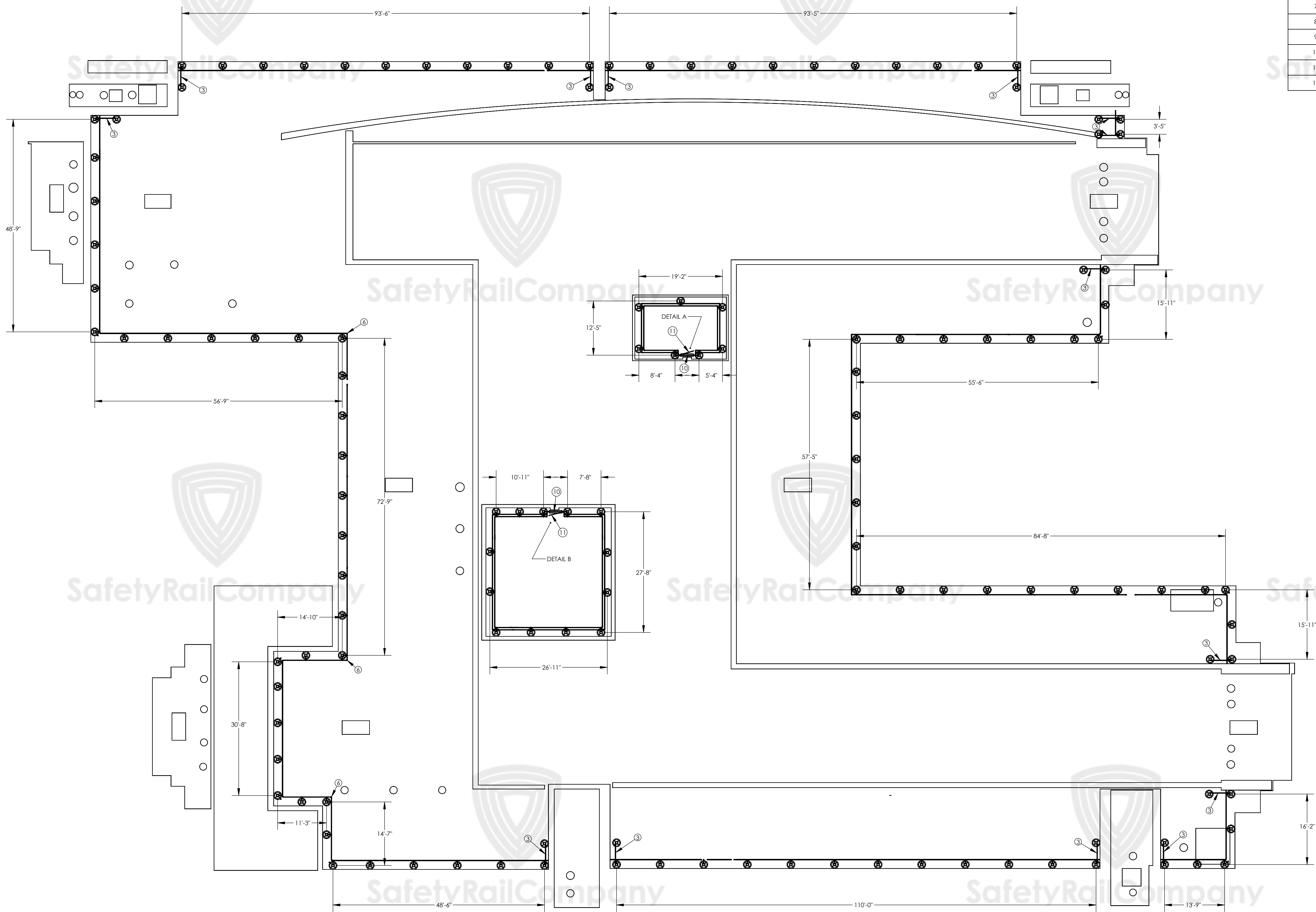
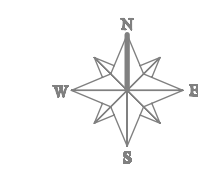


Approval Signature
 By signing this document, I approve the attached drawings and acknowledgement I have reviewed and approved them in both paper and electronic form. I acknowledge I have the authority to approve such drawing on behalf of _____ and agree they reflect the correct and complete details of PO# _____ and authorize Safety Rail Company to proceed to production/fabrication on this project.
 Name: _____
 Title: _____
 Company: _____
 SIGNATURE: _____
 DATE: ____/____/____

ITEM NO.	PART NUMBER	DESCRIPTION	QTY.	WEIGHT	TOTAL WEIGHT (LBS)
1	Example Drawing #1		1	0	0
2	420168	SRC 360 MOBILE BASE GALVANIZED	136	103	14008
3	400593	LOW PROFILE KICKER (GALV)	14	13	182
4	400765	ACCU-FIT ARCH CORNER STANCHION LH (GALV)	15	10	150
5	400763	ACCU-FIT ARCH INTERMEDIATE STANCHION	112	10	1120
6	150204	1.25 PIPE ELBOW 90	26	1	26
7	420696	1.25 SCH40 PIPE 21' GALV	105	48	5040
8	150203	1.25 PIPE STRAIGHT COUPLING	70	1	70
9	150246	1.25 PIPE PLASTIC PLUG	28	0	0
10	400696	MOBILE SCG FRAME 36 GALV	2	42	84
11	400073	30-36" SCG GALV	2	23	46
12	100155	SAFETY RAIL PIN 3"	160	0	0



NOTE:
 1. 10' RAILS AND 5' KICKER RAILS NOT CALLED OUT
 2. MOBILE BASES TO BE SET BACK 18" MIN. FROM FALL EDGES LACKING A PARAPET WALL OR LIP
 3. VISUAL WARNING LINE TO BE SET BACK 15' MIN. FROM ALL FALL EDGES, MAX STANCHION SPACING: 25'
 4. MAX ACCU-FIT STANCHION SPACING: 10'
 5. TERMINATE AT WALL WITH LFPRO/INT STANCHION/PLUGS UNLESS NOTED OTHERWISE



TITLE: Example Drawing #1
 DRAWN BY: SRC Engineering
Safety Rail Company LLC.
 4244 Shoreline Dr.
 P.O. Box 427
 Spring Park, MN 55384
 Toll Free: 888-434-2720
 Tel: 952-471-0950
 Fax: 888-471-4931
 www.safetyrailcompany.com
 info@safetyrailcompany.com
 SCALE: 1:150 WEIGHT: SHEET 1 OF 1