



SafetyRailCompany

Fall Protection for Life and Compliance



SRC SKYLIGHT GUARD

SKYLIGHT FALL PROTECTION

DESCRIPTION

The SRC Skylight Guard is an OSHA compliant fall protection screen guard for skylights. These screens simply sit on the roof over the entire skylight without any mechanical penetrations. Two rubber-tipped adjustment bolts compress against the skylight curb holding the guard in place. Heavy-duty construction prevents contact with skylight lens in the event of a fall. Installation takes 15 minutes.

APPLICATIONS

Use on any domed or flat lens acrylic skylight with a raised curb. Sizes available up to 90" wide x 120" long. Offers protection against large hail stones.

OSHA COMPLIANCE

- Compliant with OSHA standards: (29 CFR 1910.28(b)(3)(i) & 29 CFR 1926.502). Meets CalOSHA Title 8, Chapter 7, Article 2, 3212(e)(1)
- Independently tested by a nationally accredited engineering lab - documentation available upon request

FEATURES

- Heavy-duty protection prevents contact with skylight lens in event of fall
- Non-penetrating design will not compromise building envelope
- No welding or drilling required for installation
- American Welding Society Certified (AWS D1.1 & D1.3)
- 100% Made in USA
- Galvanized or powdercoat finish
- Use on skylights with standard curb detail

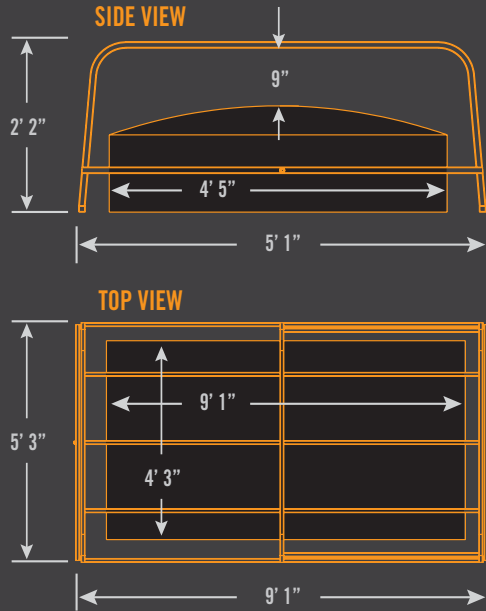
MINIMUM REQUIREMENTS

- Requires raised curbing for compression fit attachment
- Designed for use with flat or domed lens skylights

SRC SKYLIGHT GUARD

PRODUCT SPECIFICATIONS

DIMENSIONS TYPICAL DESIGN TOLERANCE



SIZE OPTIONS

SRC Skylight Guards are made for skylights ranging from 24" x 24" up to 90" x 120"

WEIGHT

24" x 24"	45 lbs
24" x 120"	145 lbs
36" x 36"	65 lbs
36" x 120"	155 lbs
48" x 48"	81 lbs
48" x 120"	165 lbs
60" x 60"	95 lbs
72" x 120"	215 lbs

CUSTOM SIZES AVAILABLE

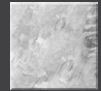
SKYLIGHT GUARD TO CURB ATTACHMENT



FINISH OPTIONS



SAFETY YELLOW



GALVANIZED



SAFETY YELLOW
+ GALVANIZED



CUSTOM
COLORS

PRODUCT SPECIFICATIONS

- Designed in accordance with OSHA Standards (29 CFR 1910.28(b)(3)(i) and CFR 1926.502) and CalOSHA Title 8, Chapter 17, Article 2, 3212(e)(1)
- Prevents contact with skylight lens in event of fall
- 100% Made in USA
- Provides high degree of safety at high risk skylight fall hazards
- One piece welded design
- Secures to skylight without mechanical penetrations
- American Welding Society Certified (AWS D1.1 & D1.3)
- All steel construction for longterm durability
- Variety of finish options available



INSTALLATION

- Using two people, position skylight guard over skylight
- Use standard wrench to tighten (4) compression bolts against skylight curb
- Estimated time to completion: 15 minutes

PROJECT:

CONTRACTOR:

DATE:

Certified third party OSHA testing results available on request