



SafetyRailCompany

Fall Protection for Life and Compliance



SRC NEVER-RUST WARNING LINE SYSTEM

VISUAL WARNING FOR HAZARDOUS AREAS

DESCRIPTION

SRC Never-Rust Warning Line Systems are an OSHA compliant visual warning line system designed to alert workers of hazardous areas. Non-penetrating, rubber base plates support a stanchion either light-duty vinyl flags or 1/8" galvanized wire rope with aluminum pennants placed every 6' along the line.

USES

The SRC Never-Rust Warning Line System can be used on flat commercial roof buildings to keep workers away from roof edges when placed with a 15' setback distance per OSHA requirements. Also used at ground level around restricted access zones or just about anywhere there is a need to isolate personnel from hazards.

OSHA COMPLIANCE

- Compliant with OSHA standards: (29 CFR 1910.29 & 29 CFR 1926.502)
- Independently tested by a nationally accredited engineering lab - documentation available upon request

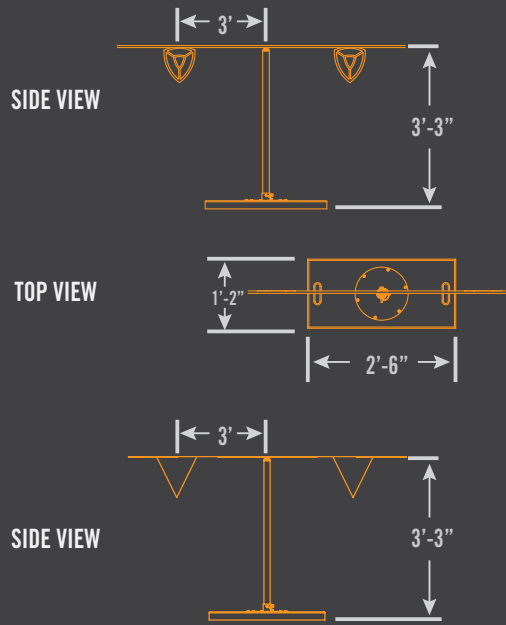
FEATURES

- 30 lb. weighted, non-penetrating recycled rubber base plate allows placement on most flat surfaces
- Light-duty vinyl flags for temporary, short-term use or 1/8" galvanized wire rope and aluminum pennants warning line will last for years
- Aluminum stanchions and rubber base plates eliminate damage possibility to roofs or rusting and staining of white membrane roofs
- Stanchions can be powder coated a variety of RAL colors

MINIMUM REQUIREMENTS

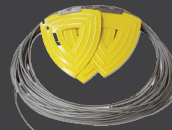
- When using light-duty vinyl flags, stanchions are typically placed 25' or less apart
- When using heavy-duty aluminum flags, stanchions are typically placed 10' apart
- Designed for flat, level surfaces not to exceed 1:12 pitch

DIMENSIONS



WARNING LINE OPTIONS

PERMANENT WARNING LINE
1/8" Plastic Coated Galvanized Wire Rope with Aluminum Pennants Spaced 6' O.C.



VINYL TEMPORARY WARNING LINE
Vinyl Rope with Vinyl Pennants Spaced 6' O.C.



NEVER-RUST BASE & STANCHION



FINISH OPTIONS



PRODUCT SPECIFICATIONS

- Designed in accordance with OSHA Standards (29 CFR 1910.29 and CFR 1926.502)
- Tested for 16 lb (7.25kg) force in any direction
- Assembled height: 39" (99.06cm) top stanchion
- Recycled rubber base weight 30 lbs
- 100% Made in USA & American Welding Society Certified (AWS D1.1 & D1.3)
- Base stanchions placed at 25' intervals or less
- Flagged line 1/8" galvanized wire rope with aluminum pennants spaced every 6' o.c. or light-duty vinyl pennants for temporary use



INSTALLATION

- Position first base/stanchion
- Position second base/stanchion 25' or less from previous
- Attach flagging to stanchions

PROJECT:

CONTRACTOR:

DATE:

Certified third party OSHA testing results available on request